

Patents, Designs, and Trade Marks

SUPPLEMENT

TO THE

NEW ZEALAND GAZETTE

OF

THURSDAY, MAY 20, 1909.

Published by Authority.

WELLINGTON, THURSDAY, MAY 20, 1909.

CONTENTS.

	Page
Complete Specifications and Drawings open to Inspection	1433
International and Intercolonial Arrangements for the Mutual Protection of Patents and Trade Marks ..	1434
Patent Publications in New Zealand	1434
Books and Documents open to Inspection at Patent Office, Wellington	1434
Books, Documents, &c., open to Inspection at Local Patent Offices, Auckland, Christchurch, and Dunedin ..	1435
Office for Registration of Copyright	1435
Official Publications	1435
Local Patent Offices	1435
Notices <i>re</i> Holidays	1435
Patent Agent registered	1435
Applications for Letters Patent filed	1436
Complete Specifications filed after Provisionals ..	1436
Complete Specifications accepted	1436
Provisional Specifications accepted	1440
Letters Patent sealed	1440
Letters Patent on which Fees have been paid ..	1440
Subsequent Proprietors of Letters Patent registered ..	1441
Applications for Letters Patent abandoned ..	1441
Application for Letters Patent void	1441
Applications for Letters Patent lapsed	1441
Letters Patent void	1441
Designs registered	1441
Design expired	1441
Applications for Trade Marks filed	1441
Applications for Registration of Trade Marks ..	1442
Application for Trade Mark opposed	1443
Trade Marks registered	1443
Subsequent Proprietors of Trade Marks registered ..	1444
Trade Mark Renewal Fees paid	1444
Applications for Trade Marks abandoned or refused ..	1444
Trade Mark Registration cancelled	1444
Trade Marks removed from the Register	1444

Complete Specifications and Drawings open to Inspection at Auckland, Dunedin, and Christchurch.

COPIES of the complete specifications and drawings advertised in the *Gazette* will be sent for public inspection to the

LOCAL PATENT OFFICES
IN THE
SUPREME COURT BUILDINGS

in the following towns on or about the dates mentioned:—

Auckland.

Gazette No. 41, of the 20th May. 26th May to 9th June, inclusive.

Dunedin.

Gazette No. 41, of the 20th May. 15th June to 29th June, inclusive.

Gazette No. 38, of the 6th May. 1st June to 15th June, inclusive.

Gazette No. 34, of the 22nd April. 19th May to 2nd June, inclusive.

Christchurch.

Gazette No. 41, of the 20th May. 3rd July to 17th July, inclusive.

Gazette No. 38, of the 6th May. 19th June to 3rd July, inclusive.

Gazette No. 34, of the 22nd April. 7th June to 21st June, inclusive.

Gazette No. 30, of the 8th April. 26th May to 9th June, inclusive.

[NOTE.—The office can take no responsibility if from any cause the specifications are not so available.]

International and Intercolonial Arrangements for the Mutual Protection of Patents and Trade Marks.

INTERNATIONAL CONVENTION.

THE following countries now belong to the Convention:—

Australia.	Italy.
Belgium.	Japan.
Brazil.	Mexico.
Ceylon.	New Zealand.
Cuba.	Norway.
Denmark and Faroe Islands.	Portugal, with the Azores and Madeira.
Dominican Republic.	Servia.
France, with Algeria and Colonies.	Spain.
Germany.	Sweden.
Great Britain.	Switzerland.
Holland, with East Indian Colonies, Curaçoa, and Surinam.*	Tunis.
	United States of America.

* Trade marks only.

Separate arrangements have been made between Australia and New Zealand.

Particulars of the Convention and of such arrangements may be seen in the following *Gazettes*:—

Notification of adhesion of New Zealand to the Convention, with text thereof (in English), in the *Gazette* of 26th November, 1891; notification of adherence of New Zealand to the Additional Act of the Convention, with text (in English), of such Additional Act, in Patents Supplement to *Gazette* No. 101, of the 16th November, 1905; Order in Council applying section 103 of the Imperial Act to New Zealand, in *Gazette* No. 27, of the 15th May, 1890; Orders in Council containing arrangements between Australia and New Zealand, in Patent Supplements to the *Gazette* Nos. 22 of the 9th March, 1905, and 38 of the 20th April, 1905.

Patent Publications in New Zealand.

THE following publications relating to Patents for inventions, &c., are open to inspection in the Dominion:—

WELLINGTON.—PATENT OFFICE LIBRARY.

United Kingdom.

The full text of the specifications and complete drawings of inventions patented from the year 1617 up to the 18th February, 1909.

Classified illustrated abridgments of inventions from 1855 to 1906 and part of 1907.

Illustrated Official Journal, containing lists of recent applications, abridgments of inventions for which patents have been lately granted, patents void, &c., to April, 1909.

Index of Applicants.

Subject-matter Index.

Commissioner of Patents Journal, &c.(^a).

Trade Marks Journal to February, 1909.

Canada.

Patent Office Record (containing illustrated abridgments of inventions, &c.) to November, 1908.

Australia.

The full text of the specifications and complete drawings in respect of applications accepted from the 11th January, 1906, to the 4th August, 1908, inclusive.

The Official Journal of Patents of the Australian Commonwealth (containing lists of applications for letters patent, abridgments of complete specifications accepted, &c.).

The Australian Official Journal of Trade Marks (containing lists of applications for registration of trade marks, &c.).

Specifications, drawings, abridgments, and indexes of Victoria, New South Wales, Queensland, and South Australia(^b).

United States.

The full text of the specifications and drawings for the years 1905 and 1906.

The Official Gazette of the United States Patent Office (containing illustrated abridgments of specifications, &c.) to April, 1909.

Mexico.

The Official Gazette of the Patent and Trade Mark Office.

(^a) Discontinued.

(^b) In arrears. Not now being printed.

General.

La Propriété Industrielle (the official organ of the International Bureau of the Union for the Protection of Industrial Property).

Patent laws of the world.

Patent and Trade Mark Review.

Text-books and handbooks on patents and trade marks.

AUCKLAND.—PUBLIC LIBRARY.

United Kingdom.

Classified abridgments of inventions from 1855 to 1904.
Illustrated Official Journal from 1897 to date.

Canada.

Patent Office Record (containing illustrated abridgments of inventions, &c.) from 1897 to date.

Australia.

The Official Journal of Patents from 1905 to date.

United States.

The Official Gazette of the United States Patent Office (containing illustrated abridgments of specifications, &c.) from 1885 to 1887 and 1890 to 1895.

CHRISTCHURCH.—PUBLIC LIBRARY.

United Kingdom.

Classified abridgments of inventions from 1855 to 1904.
Illustrated Official Journal from October, 1905, to date.

Canada.

Patent Office Record (containing illustrated abridgments of inventions, &c.) from 1897 to date.

Australia.

The Official Journal of Patents from 1905 to date.

DUNEDIN.—PUBLIC LIBRARY.

United Kingdom.

Classified abridgments of inventions from 1855 to 1904.
Illustrated Official Journal from October, 1905, to date.

Australia.

The Official Journal of Patents from 1905 to date.

Books and Documents open to Inspection at Patent Office, Wellington.

THE following documents and books are open to public inspection at the Patent Office:—

PATENTS.

(Fee for each search or inspection, not exceeding one hour, 1s.)

1. The files relating to all applications for letters patent in respect of which complete specifications have been accepted.
2. Classified copies of specifications and drawings, with index and key(^a).
3. Register of Applications for Letters Patent.
4. Register of Patents.
5. Register of Subsequent Proprietors of Letters Patent(^b).
6. Index of Patentees(^c).
7. Index of Proprietors of Letters Patent granted prior to 1890(^d).
8. Index of Specifications(^e).

DESIGNS.

(Search fee, 1s. each quarter of an hour.)

1. Register of Designs, with Index of Names of Proprietors.
2. Classified Representations of Designs in respect of which Copyright has expired.
3. Index of Designs.

(^a) Key is in card index.

(^b) This Register contains only names of subsequent proprietors of letters patent granted prior to 1st January, 1890; since that date they appear in Register of Patents.

(^c) Includes all names of applicants, &c., and consists of four volumes to 4th November, 1903, and card index since that date. A separate card index is kept for current quarter.

(^d) The names of proprietors of subsequent letters patent appear in the Index of Patentees.

(^e) Contains classified abridgments of specifications from 1861, with extracts from drawings from July, 1904.

TRADE MARKS.

(Search fee, 1s. each quarter of an hour.)

1. The files relating to all applications for registration of trade marks.
2. Register of Applications for Registration of Trade Marks.
3. Register of Trade Marks.
4. Index of Applicants for Registration of Trade Marks^(a).
5. Index of Trade Marks.
6. Classified Representations of Trade Marks, with indexes.

MISCELLANEOUS.

Register of Patent Agents.

FORMS AND PUBLICATIONS.

The following forms, &c., may be had on application at the Patent Office, Wellington, or at any of the local Patent Offices named below:—

- Application for letters patent.
- Provisional specification.
- Complete specification and copy thereof.
- Application for registration of design.
- Application for registration of trade mark.
- Applications for extension of time.
- Requests by subsequent proprietor to enter name on Register of Patents and Trade Marks.
- Printed sheets of information as to fees and procedure to obtain letters patent and to register a trade mark^(b).
- Pamphlet containing Act and Regulations (price 1s.).

^(a) Names of applicants for registration and proprietors of trade marks are indexed at the beginning of the Registers up to 31st December, 1889; in separate volume up to 5th September, 1904; and since the latter date in card index.

^(b) May also be obtained at any local Patent Office or money-order office.

Books, Documents, &c., open to inspection at Local Patent Offices, Auckland, Christchurch, and Dunedin.

BOOKS, documents, &c., open to inspection, and forms, &c., procurable, at the local Patent Offices at Auckland, Christchurch, and Dunedin.

BOOKS, ETC., OPEN TO INSPECTION.

Complete specifications and drawings of inventions. (Note.—One set of the specifications and drawings is sent, on acceptance, to Auckland, Christchurch, and Dunedin in succession, remaining fourteen days at each place, as advertised in the *Gazette*. Search fee, 1s. per hour.)

Classified abridgments of inventions from 1st January, 1908, to 31st March, 1909. (Search fee, 1s.)

Weekly lists of applications for patents up to and including those filed on Friday may be seen on the following Monday. (Search fee, 1s.)

- Name Index—Patents, 1861–1889. (Search fee, 1s.)
- Annual Reports, containing alphabetical lists of applicants and subject-matter indexes since 1890.
- Patents Supplement to the *New Zealand Gazette*.
- Patents, Designs, and Trade Marks Act and Rules.
- Acts and Rules of other countries.
- Australian Official Journal of Patents.

FORMS, ETC., OBTAINABLE.

The following forms, &c., may be obtained on application:—

- Applications for letters patent.
- Provisional specification.
- Complete specification, and copy thereof.
- Application for registration of design.
- Application for registration of trade mark.
- Applications for extension of time.
- Requests by subsequent proprietor to enter name on Register of Patents and Trade Marks.
- Printed sheets of information as to fees and procedure to obtain letters patent and to register designs and trade marks.
- Act and Regulations. (Price, 1s. 6d.)

NOTE.—The classified abridgments of the specifications and drawings of the United Kingdom may be seen in the Public Library of each of the above three principal towns. Other publications will be placed on file as soon as they are available.

Office for Registration of Copyright.

THE office for the registration of copyright in Fine Arts and Dramatic Works has been transferred to the Patent Office, Magistrate's Court Building, corner of Lambton Quay and Ballance Street, Wellington.

Official Publications.

THE following publications may be obtained from the Government Printer, Wellington:—

Printed specifications to the end of the year 1879. (Some of these are now out of print.)

Annual lists of letters patent and letters of registration applied for, and particulars of applications lapsed, and patents lapsed, from 1880 to 1893 inclusive. (The lists for the last four of these years are contained in the *Annual Reports of the Registrar*.)

Annual reports of the Registrar, containing alphabetical indexes of applicants for letters patent and of subject-matter of inventions patented from 1894 to 1907 inclusive.

The Patents Supplement to *Gazette* (containing notifications, applications for letters patent, abridged descriptions and drawings of inventions, &c.), published fortnightly.

Name Index of Patents, &c., 1861–1890. (Price, 1s.)

Local Patent Offices.

LOCAL Patent Offices for the reception of applications, supply of forms, &c., have been established at the following places:—

- Auckland—Supreme Court. (E. W. Cave, agent.)
- Whangarei—Courthouse. (W. J. Reeve, agent.)
- Thames—Courthouse. (J. Jordan, agent.)
- Waihi—Courthouse. (J. McIndoe, agent.)
- Hamilton—Courthouse. (H. J. Dixon, agent.)
- Gisborne—Courthouse. (G. J. A. Johnstone, agent.)
- New Plymouth—Courthouse. (J. Terry, agent.)
- Napier—Courthouse. (A. Trimble, agent.)
- Wanganui—Courthouse. (C. A. Barton, agent.)
- Taihape—Courthouse. (W. Baker, agent.)
- Palmerston North—Courthouse. (C. J. Hewlett, agent.)
- Masterton—Courthouse. (M. Foley, agent.)
- Nelson—Courthouse. (E. C. Kelling, agent.)
- Blenheim—Courthouse. (F. W. Hart, agent.)
- Westport—Courthouse. (O. E. Bowling, agent.)
- Greymouth—Courthouse. (B. Harper, agent.)
- Hokitika—Courthouse. (J. N. Naider, agent.)
- Christchurch—Supreme Court. (W. W. Samson, agent.)
- Ashburton—Courthouse. (J. Fitzgerald, agent.)
- Timaru—Courthouse. (T. W. Tayler, agent.)
- Oamaru—Courthouse. (A. A. Mair, agent.)
- Dunedin—Supreme Court. (T. E. Roberts, agent.)
- Clyde—Courthouse. (F. P. D. Jeffery, agent.)
- Gore—Courthouse. (G. H. Lang, agent.)
- Queenstown—Courthouse. (A. J. Thompson, agent.)
- Invercargill—Courthouse. (J. R. Colyer, agent.)

Holiday to be observed on 24th May, Empire Day.

Office of the Minister of Internal Affairs,
Wellington, 10th May, 1909.

MONDAY, the 24th May instant, being Empire Day, will be observed as a public holiday in the Government offices throughout the Dominion.

D. BUDDO,
Minister of Internal Affairs.

Holiday to be observed on Prince of Wales's Birthday.

Office of the Minister of Internal Affairs,
Wellington, 10th May, 1909.

THURSDAY, the 3rd June next, being the anniversary of the birthday of His Royal Highness the Prince of Wales, will be observed as a public holiday in the Government offices throughout the Dominion.

D. BUDDO,
Minister of Internal Affairs.

Patent Agent registered.

Patent Office,
Wellington, 19th May, 1909.

IT is hereby notified that

BENSON HENRY WYMAN,
of Acme Chambers, Auckland, in the Dominion of New Zealand, Solicitor, has been registered as a Patent Agent.

Applications for Letters Patent filed.

LIST of applications for Letters Patent filed. (Where a complete specification accompanies an application an asterisk is affixed; in all other cases a provisional specification has been lodged. In all cases where the applicant is not the inventor the name of the latter appears in italics after the title. † Denotes an application under the International and Intercolonial Arrangements.)

- No. 25899.—1st May.—A. Storrer, Invercargill, N.Z.
Milking-machine.*
- No. 25900.—29th April.—P. D. H. Ohlhaber, Sande, Ger.
Milking-machine.*
- No. 25901.—29th April.—P. D. H. Ohlhaber, Sande, Ger.
Milking-machine.*
- No. 25902.—3rd May.—L. Melva, St. Kilda, Vic.
Hat-pin.*
- No. 25903.—4th May.—A. J. F. de Bavay, Kew, Vic.
Tire.
- No. 25904.—10th June, 1908.†—S. T. Shirt, Sydney, N.S.W.
Hand-shears.*
- No. 25905.—7th May.—J. B. MacEwan and Co., Limited,
Wellington, N.Z.
Milking-machine. (A. B. Robertson.)
- No. 25906.—3rd May.—D. G. Sutherland, Christchurch, N.Z.
Mat, rug, or carpet piece holder.
- No. 25907.—3rd May.—E. R. Godward, Invercargill, N.Z.
Trace-fastening for whiffletree.
- No. 25908.—5th May.—E. Wright, Pinner, Eng.
Fibre machine.*
- No. 25909.—5th May.—W. A. Moir, Sydney, N.S.W.
Air-cooled crank-case two-cycle motor.*
- No. 25910.—5th May.—H. C. L. Rolfe, Melbourne, Vic.
Metal fencing-post.*
- No. 25911.—5th May.—G. McMullen, L. Dwyer, and R. P.
Vincent, Perth, W.A.
Steel-fibre concrete.*
- No. 25912.—4th May.—G. Walker, Tuakau, N.Z.
Fibre drying, loading, &c., mechanism.
- No. 25913.—6th May.—J. McCallum, Tuamarina, N.Z.
Weed-eradicating solution.
- No. 25914.—6th May.—J. R. Davies and H. Stairmand, Wel-
lington, N.Z.
Gas-making machine.
- No. 25915.—4th May.—J. Brookes, Invercargill, N.Z.
Knife-cleaning apparatus.
- No. 25916.—5th May.—M. A. Browne, Christchurch, N.Z.
Clothes-peg.
- No. 25917.—16th February.—H. H. Rawlinson, Auckland,
N.Z.
Fuel-economiser. (T. Rawlinson.)
- No. 25918.—16th February.—H. H. Rawlinson, Auckland,
N.Z.
Spark-arrester. (T. Rawlinson.)
- No. 25919.—3rd May.—W. J. F. Hayter, Frankton, N.Z.
Ironsand-treatment.
- No. 25920.—6th May.—R. C. Hunter, Christchurch, N.Z.
Anti-rattler, &c., for windows.
- No. 25921.—8th May.—R. Carruthers, Levin, N.Z.
Milk-can.
- No. 25922.—8th May.—E. J. Deck, Waihi, N.Z.
Legging.*
- No. 25923.—8th May.—G. J. Cullen, Eltham, N.Z.
Gate or door hinge.
- No. 25924.—10th May.—W. H. Hewitt, Stratford, N.Z.
Staple.
- No. 25925.—11th May.—E. H. Browne, Clevedon, N.Z.
Wire-strainer.
- No. 25926.—7th May.—W. J. Love and F. W. Skelsey,
Dunedin, N.Z.
Cement-manufacturing machinery.*
- No. 25927.—7th May.—W. A. Ross, Burnie, Tas.
Kerosene, &c., decanting apparatus.
- No. 25928.—7th May.—F. W. Payne, Dunedin, N.Z.
Air-brake apparatus.
- No. 25929.—11th May.—R. Beattie and G. Croxford, Christ-
church, N.Z.
Snow-board.
- No. 25930.—11th May.—J. B. M. Barnes, Wellington, N.Z.
Testing temperature of baled goods.* (H. S.
Harrod.)
- No. 25931.—11th May.—A. W. Parton, Wellington, N.Z.
Clothes-cleaning apparatus.*
- No. 25932.—11th May.—F. H. Andrews and G. H. Wilkin,
Wellington, N.Z.
Producing geometrical figures, &c.*
- No. 25933.—11th May.—A. F. Sharpe, Marton, N.Z.
Harness.
- No. 25934.—8th May.—E. Taylor, Auckland, N.Z.
Clothes-dryer, &c.
- No. 25935.—12th May.—J. E. Ephraim, Sydney, N.S.W.
Earth closet.*
- No. 25936.—12th May.—G. E. Andrew, Ormond, Vic., and
S. W. Lack, Albert Park, Vic.
Can-jointing material.*

- No. 25937.—12th May.—R. Whitson and E. P. Wilkinson,
Auckland, N.Z.
Gully or drain trap.
- No. 25938.—12th May.—H. G. Wells, Moonee Ponds, Vic.,
and A. Anderson, St. Kilda, Vic.
Manufacture of jute bagging.
- No. 25939.—12th May.—E. S. Baldwin, Wellington, N.Z.
Roller-bearing.* (S. Kaye.)
- No. 25940.—12th May.—F. Walsh, Sydney, N.S.W.
Pneumatic clock.* (P. Poetto.)
- No. 25941.—12th May.—J. Douglas, jun., and F. G. Geddes,
Waverley, N.S.W.
Dressing-retainer and shield for knees of
horses.*
- No. 25942.—12th May.—J. M. Clark, Attleboro, U.S.A.
Fire-arm attachment.*
- No. 25943.—12th May.—K. Anglim, Sydney, N.S.W.
Lid of teapot, &c.
- No. 25944.—10th May.—H. J. Wilde, Dunedin, N.Z.
Black-sand treatment.
- No. 25945.—13th May.—J. J. Blockley, Palmerston North,
N.Z.
Ventilator, &c.
- No. 25946.—13th May.—J. V. Price, Christchurch, N.Z.
Block-printing process.
- No. 25947.—11th May.—Milburn Lime and Cement Com-
pany, Limited, Dunedin, N.Z.
Portland-cement manufacture and appa-
ratus. (F. Oakden.)
- No. 25948.—12th May.—A. J. Whiteside, Whangamarino,
N.Z.
Handling fibres while being dressed.
- No. 25949.—11th May.—A. H. Cranwell, Auckland, N.Z.
Dust-preventer.
- No. 25950.—11th May.—A. H. Cranwell, Auckland, N.Z.
Dust-preventer.
- No. 25951.—14th May.—H. A. Petersen and J. L. Mac-
donald, Halcombe, N.Z.
Preventing horses from rearing, &c.
- No. 25952.—15th May.—J. Gilmour, Gisborne, N.Z.
Railway buffer.

Complete Specifications filed after Provisionals.

LIST of complete specifications filed after provisional specifications, from the 1st to the 17th May, 1909, inclusive:—

- No. 24771.—G. W. Gough, boot-support.
No. 24775.—H. Bostock, boot. (E. Bostock.)
No. 24778.—J. Fitchett, lorry.
No. 24785.—A. M. Perry, cycle mud-guard.
No. 24789.—H. S. Martin, electrical resistance device.
No. 24821.—W. H. McGeever, staff-system for railways.
No. 24839.—E. Downey, umbrella-holder for vehicles.
No. 24857.—J. R. Kent, shoette-upper.
No. 24886.—C. E. Gane, milking-machine.

Notice of Acceptance of Complete Specifications.

Patent Office.

Wellington, 19th May, 1909.

COMPLETE specifications relating to the undermen-
tioned applications for Letters Patent have been
accepted, and are open to public inspection at this office.
Any person may, at any time within two months from the
date of this Gazette, give me notice in writing of opposition
to the grant of any such patent. Such notice must set forth
the particular grounds of objection, and be in duplicate. A
fee of 10s. is payable thereon.

No. 24321.—4th February, 1908.—HORACE GEORGE
NICHOLS, of the Ymir Gold-mines, Limited, near Ymir, Bri-
tish Columbia, Dominion of Canada, Engineer. Improve-
ments in or relating to the separation of the liquid and solid
components of a fluid mass such as wet slimes or ore-pulp,
or for the like or analogous purposes.

Extract from Specification.—The present invention has
for its object (*inter alia*) to assist, or cause, or enable the
rapid settlement of the solid matter in suspension in
a fluid mass—*e.g.*, the finely ground material from ore-
pulp—by steadily and continuously withdrawing said solid
matter as it settles, such settled solid matter being with-
drawn, as it settles, from the deepest or a deep part of a
settling tank or other vessel (or a compartment therein) into
which the fluid mass is introduced; and this is effected,
according to the present invention, by causing or permitting
the solid matter to settle in such settling tank or vessel (or
special settling compartment therein) and, as it settles,
withdrawing such settled solid matter continuously and
steadily from the lower part of such tank or vessel or com-

partment by means of any suitable conveyor, which is caused to move in close proximity to the bottom of said settling tank or vessel, or settling compartment, or in close proximity to the point of discharge of said settled matter from the said settling vessel or compartment; and this conveyor brings the deposited solid matter to the exterior of the said settling tank or vessel, and there discharges same. This conveyor is advantageously an endless travelling conveyor-belt; and the said belt, as the solid matter is deposited thereon, passes in an upward direction so as to bring the solid matter on said belt to a point above the top level of the fluid mass, and the solid matter thus withdrawn from the fluid mass can then be removed from the belt (before the latter returns into the tank or vessel), and thereafter this solid matter can either be subjected to a washing operation or otherwise disposed of in any desired manner.

[NOTE.—The above extract from the specification is inserted in place of the claims.]

(Specification, 18s. 6d.; drawing, 1s.)

No. 24474.—2nd June, 1908.—AMBROSE GEORGE JACKSON, of Hunter, Waimate, New Zealand, Chaff-cutter. An improved construction of riddles for chaff-cutters.*

Claims.—(1.) A riddle for chaff-cutters characterized by a number of screens of different mesh, mounted in a frame and provided with means whereby the screenings from each screen may be conveyed away from the riddle or on to the screen next below, substantially as specified.

[NOTE.—Here follow two other claims.]

(Specification, 3s. 6d.; drawing, 1s.)

No. 24622.—6th July, 1908.—ALFRED HENRY POOLE, of 36 Canongate Street, Dunedin, New Zealand, Hairdresser. Improved method of and apparatus for the manufacture of hair-pads.*

Claims.—(1.) In hair-pad manufacture, an unplaiting and teasing apparatus comprising a frame of suitable material, a spool mounted and adapted to revolve therein, the said frame suspended by a swivel to enable it to rotate.

[NOTE.—Here follow three other claims.]

(Specification, 4s.; drawing, 1s.)

No. 25031.—3rd October, 1908.—WILLIAM JOSIAH LOVE, Managing Director of Cement-works, and FREDERICK WALTER SKELSEY, Engineer, both of Burnside, near Dunedin, New Zealand. Improved processes in the manufacture of Portland cement.*

Claims.—(1.) In the manufacture of cement, a long, slowly revolving cylinder placed at an incline adapted for drying and heating the raw material, means to feed it at its upper end with same, and to lift and toss it while it is passing through the said cylinder and to discharge at its lower end, means to supply heat to the said material in the form of hot air or gases as it passes through the said cylinder from the usual rotary kiln or from a separate furnace, and to discharge same into the stack, all substantially as described and as explained and as illustrated in the drawing or diagrams.

[NOTE.—Here follow four other claims.]

(Specification, 5s. 9d.; drawing, 2s.)

No. 25533.—4th February, 1909.—THE VICTOR AUTOMATIC CARRIERS, LIMITED, of 165 St. James Street, Montreal, Quebec, Canada, Manufacturers (assignee of Victor Filteau, of 163 St. James Street, Montreal aforesaid). Improvements in newspaper-carriers.

Extract from Specification.—We provide a carrier adapted to receive the papers from the folding mechanism of the press, and to deliver them in overlapped relation to a second carrier travelling at right angles to the first. The second carrier transmits the papers to a vertically ascending carrier, still in overlapped relation, which may be spirally twisted to deliver the papers to a horizontal carrier travelling at any angle across the room. Co-operating with the horizontal carrier is a vertically descending carrier adapted to deliver the papers on any of the floors through which it passes. The receiving mechanisms on the different floors are equipped with movable fingers or aprons for deflecting the papers from their line of travel down the carrier on to the receivers. Stops may be provided co-operating with the receivers, whereby the papers may be delivered in piles.

[NOTE.—The above extract from the specification is inserted in place of the claims.]

(Specification, 6s.; drawing, 1s.)

No. 25607.—26th February, 1909.—FREDERICK DAVISON, of Venus Street, Caulfield, Victoria, Australia, Printer. Improvements in fly-proof and other like screens for windows.

Extract from Specification.—A screen, preferably of woven wire, commonly known as fly-screen, mounted upon a frame-work fastened to the window by means of a running attachment such as a screw engaging a slot, and having a flange of sheet metal upon each side adapted to be inserted within the sash-grooves between the sash and the beading.

[NOTE.—The above extract from the specification is inserted in place of the claims.]

(Specification, 5s. 3d.; drawing, 1s.)

No. 25639.—4th March, 1909.—THOMAS JOSEPH MURPHY, of Rochester, New York, United States of America, Electrical Engineer. Electricity-rectifiers.

Claims.—(1.) In an electricity-rectifier, the combination of a circuit having a source of a variable current, a portion of the said circuit having a high resistance, means operating in unison with the variation of the said circuit for reducing the resistance of the said circuit and allowing the said current to freely flow. (2.) In an electricity-rectifier, the combination of a pair of electrodes having parallel faces, a magnet having a pole located parallel to the said parallel faces, a source of a current connected to the said electrodes for establishing an arc across the said electrodes. (3.) In an electricity-rectifier, the combination of a source of alternating current, a means connected on opposite sides of the said source for permitting the current to flow unidirectionally through the return wire during opposite phases of the alternations of the said current.

[NOTE.—Here follow twelve other claims.]

(Specification, 16s. 6d.; drawing, 5s.)

No. 25649.—3rd March, 1909.—XAVIER CHARLES ANDRE DU HOMME DE SAINTE CROIX, of P.O. Box 5736, Johannesburg, Transvaal, Engineer. Improvement relating to automatic safety device for gradual stoppage of falling conveyances in guided travelling ways.

Claims.—(1.) Safety apparatus for connecting the cage of a lift or the like to the hauling cable, and consisting of two gears, such that on the failure of the cable the upper is capable of being suddenly stopped whilst the lower, which is suspended from the first, comprises an inextensible connection capable of being detached from the upper gear before the stoppage thereof, and a second connection capable of being extended with a braking-action which gradually brings the cage to rest, substantially as described.

[NOTE.—Here follow nineteen other claims.]

(Specification, £1 8s.; drawing, 8s.)

No. 25710.—11th March, 1909.—JAMES PEACOCK, of Box 4, G.P.O., Melbourne, Victoria, Australia. Improved appliance for saving tin and other minerals.

Extract from Specification.—The essential features of my invention are a longitudinally partitioned sluice-box with a series of transverse wells, within each of which works an archimedian screw-carrier. Below these wells is a grating consisting of a series of small revolving rollers, overlying a subsidiary sluice provided with a permanently submerged, similarly constructed carrier.

[NOTE.—The above extract from the specification is inserted in place of the claims.]

(Specification, 5s.; drawing, 1s.)

No. 25714.—19th March, 1909.—JOHN BLAKE, of Otakeho, Taranaki, New Zealand, Farmer. An improvement in teat-cups of milking-machines.

Extract from Specification.—This invention relates to teat-cups of milking-machines which are operated by a vacuum, and its object is to provide improved means for making the flexible lining of such teat-cups airtight with the caps and the rigid tube. These means comprise an outer false casing made in two parts, and with flanges adapted to bear upon the caps. One part of the casing telescopes upon the other part, and the two parts are drawn together by pins passing into sloping slots.

[NOTE.—The above extract from the specification is inserted in place of the claims.]

(Specification, 2s.; drawing, 1s.)

No. 25717.—20th March, 1909.—ERNEST MOSS, Mechanic, and ERNEST MAYES, Traveller, both of Christchurch, New Zealand. Improved means for impressing or stamping a cheque or the like with the predetermined amount of its value, in order to prevent fraudulent use thereof.

Claims.—(1.) In a device of the class described, the combination with a suitable frame comprising a base plate, two upright members attached thereto, a handle extending between and attached to such upright members, and a pin secured between such upright members, of a sleeve revolvably mounted upon such pin, a disc secured to such sleeve to the periphery of which are secured rubber numbers, an opening in such base plate through which the disc is adapted to extend so as to cause the lower portion of its periphery to project beyond the lower face of the base plate, and a suitable detent adapted to hold the disc in the desired position, substantially as described and for the purpose indicated.

[NOTE.—Here follow two other claims.]

(Specification, 5s. ; drawing, 1s.)

No. 25751.—26th March, 1909.—M.JOLKNINGSMASKIN AKTIEBOLAGET, of 3A Hamngatan, Stockholm, Sweden (assignees of Thure Ernfrid Wawrinsky, of 14 Kungsholmsgatan, Stockholm aforesaid, and Harry Fredrik Albin, of 36 Rorstrands-gatan, Stockholm aforesaid, Engineers). Improvements in inflatable tubes for milking-organs operated by compressed air.

Claims.—(1.) Tubes or pipes in the form of a ribbon for the milking-organ of a milking-machine working with pressure air, consisting of an inelastic textile material, which is on one or both sides furnished with a relatively thin and tight layer of caoutchouc, varnish, or the like.

[NOTE.—Here follow two other claims.]

(Specification, 3s.)

No. 25752.—26th March, 1909.—JOSEPH GORDON-JONES, Farmer, WILLIAM GORDON GORDON-JONES, Farmer, and JANET GORDON-JONES, Gentlewoman, all of Taheke, Hokianga, New Zealand. Sowing various single seeds.

Claims.—(1.) In appliances for depositing manure and sowing single seeds, fixed to hand, horse, or power machines, and in combination with them, a hopper for holding manure, having a sliding bottom capable of being given a reciprocating motion, and furnished with a hole of adjustable size and a guiding hinged flap for withdrawing the desired quantity from the said hopper at each stroke and emptying same into the lower shoot, with a similar hopper having seeds in it, and furnished also with a sliding bottom with a hole the size of the seed to be sown, also capable of a reciprocating motion, for withdrawing a seed at a time from the said hopper and depositing same in the sowing-shoot at each stroke with the said portion of manure, all substantially as shown and as described and explained and illustrated in the drawing. (2.) The combination of the seed-sowing hopper, with spare sliding bottoms each of the thickness and each furnished with a hole the size of the special seed to be sown, and each capable of reciprocating below, and attached to the said hopper, withdrawing a seed at each stroke for sowing, all substantially as set forth.

(Specification, 3s. ; drawing, 1s.)

No. 25777.—31st March, 1909.—JOHN HAROLD HUTCHINSON, of Queen's Avenue, off Dominion Road, Auckland, New Zealand, Engineer. Improvements in slides of lathes, planing-machines, and the like.

Claims.—(1.) In a machine, the combination with a suitable base of a circular slide set to form an overhanging ledge for the purpose set forth, as described and illustrated. (2.) In a machine, the combination with a slide constructed as described in claim (1), of a slotted bed adapted to be expanded along the line of the rest by means of tapered pins forced into the said slots, for the purpose set forth, as described and illustrated. (3.) In a slide constructed as described in claim (1), the employment of bolts passing through the slide-bars and through the bed of the machine for the purpose of permanently securing the bars in position, substantially as set forth and described.

(Specification, 4s. ; drawing, 1s.)

No. 25783.—1st April, 1909.—WALTER SCOTT, Painter, and WILLIAM JOSEPH ROEBUCK, Engineer, both of Dunedin, New Zealand. Improved portable folding stand.

Claims.—(1.) A portable table-stand, consisting of a hinged box, the top and bottom of which form, when opened, a flush table-top or seat, trestles consisting of legs suitably braced, a rod forming a pivot for the said trestles, slidable locking-pieces operated by the said rod, longitudinal slots for the purpose of guiding the rod and permitting the necessary play for adjustment, all substantially as described and as illustrated. (2.) The general arrangement and construction of parts comprising our improved portable stand, all substantially as and for the purpose set forth and as illustrated in the drawings.

(Specification, 3s. ; drawing, 1s.)

No. 25787.—6th April, 1909.—ROBERT BLAKOE, of 5 Clifton Place, Sauchiehall Street, West Glasgow, Scotland, Lecturer on Anatomy. A device for developing and strengthening the muscles of the body and arms.

Claims.—(1.) An incomplete hoop or flat ring provided with handles near to the gap or opening, and designed to be grasped by the hands of the users in the exercise of forcing the open ends of hoop or band asunder or more or less close together, and a concentric scale-blade bringing the two ends of the hoop together to register the strength expended in either of these operations, substantially in the manner described and shown on the drawings. (2.) The general arrangement and combination of parts, operating substantially as and for the purposes described and shown on the sheet of drawings.

(Specification, 3s. 6d. ; drawings, 1s.)

No. 25788.—6th April, 1909.—BRITISH WESTINGHOUSE ELECTRIC AND MANUFACTURING COMPANY, LIMITED, of Westinghouse Building, Norfolk Street, in the City of Westminster, England, Manufacturers (assignees of Percy Stuart Turner, of 57 Rye Bank Road, Chorlton-cum-Hardy, Manchester, England, Electrical Engineer). Improvements in or connected with electric braking.

Claims.—(1.) Braking apparatus of the kind described, in which a plurality of resistances are arranged to be automatically and successively connected in parallel with the field-magnet windings of the motor or motors as the speed of the vehicle increases, for the purpose specified. (2.) Braking apparatus of the kind described, in which a plurality of resistances are arranged to be successively connected in parallel with the field-magnet windings of the motor or motors by means of electro-magnetically operated switches, the energizing windings of which are connected either in the braking-circuit or across the armature and field-magnet windings in series of the motor or motors, or across either of these windings separately, for the purpose specified. (3.) Braking apparatus for electrically propelled vehicles, arranged and operating substantially as described with reference to any of the figures of the drawings.

(Specification, 5s. 6d. ; drawings, 1s.)

No. 25792.—3rd April, 1909.—JOHN BAPTISTE SAUVE and FRANK BERNARDI, of Mokelumne Hill, Calaveras, California, United States of America, Miners. Electrical fuse-spitter.

Claims.—(1.) A fuse-spitting device, consisting of a tubular cap adapted to fit over the end of a fuse, a plug closing one end of the tube, said plug being provided with a vent, and conducting-wires passing through the plug and into the cap to a point contiguous to the fuse, and adapted to ignite the fuse on the passage of a current through said wires.

[NOTE.—Here follow two other claims.]

(Specification, 4s. ; drawing, 1s.)

No. 25793.—7th April, 1909.—KARL KOZEGI, of Baja, Hungary, Director, and COUNT EMIL SZECHENYI, of Vaiszka, Hungary, Landed Proprietor. Improvements in cultivating-machines.

Claims.—(1.) An attachment for soil-cultivating machines for turning soil and stubble and disintegrating deep soil, comprising a thin disc rotating at a high speed in the line of the travel of the machine, the said disc being provided with uniformly distributed hoes mounted perpendicular to the plane of the disc and tangentially to the direction of rotation, and with approximately radial adjustable blades mounted perpendicular to the plane of the disc and located between the hoes, and inclined to the hoes at an angle of about 50° to 60°, as and for the purpose specified. (2.) The described attachment for cultivating-machines.

(Specification, 5s. ; drawing, 1s.)

No. 25794.—7th April, 1909.—ERNEST RICHARD ROYSTON, of The Gables, 28 Village Road, Oxtou, Chester, England, Engineer. Improvements in pneumatic devices for stamping-machinery.

Extract from Specification.—This invention has reference to pneumatic stamping-machinery for reducing or crushing metalliferous ores to a finely divided state, wherein the power from a crank-shaft to the stamping or crushing parts is transmitted through the medium of a cushion of air contained in a cylinder, and acted upon by a piston contained therein, the cylinder having holes in a certain portion thereof for the admission and exit of air ; and it has for its objects and effects, amongst others, to provide improvements in this type of machinery as specified, comprising means for taking up the wear-and-tear of the parts and for regulating the admission and exit of air.

[NOTE.—The above extract from the specification is inserted in place of the claims.]

(Specification, 7s. 6d. ; drawing, 4s.)

No. 25796.—7th April, 1909.—WILLIAM CLARK, of Junee, New South Wales, Australia, Steam-shed Inspector of Railways. Improvements in exchangers in tablet systems of railway-traffic control.

Extract from Specification.—A ground exchanger according to these present improvements, instead of having the tablet hanging by a ring or bail from an arm, presents said tablet to the oncoming locomotive with its ring or bail downwards, and with its pouch in a pocket or homing on an inclined support or stay from the top of the mast. And an engine exchanger according to this invention, instead of having a ram or straight stem with a spring and trigger and pads (which are constantly breaking and getting out of order), has a curved or rather a corkscrew stem without springs, triggers, pads, or the like, and preferably made of round spring steel.

[NOTE.—The above extract from the specification is inserted in place of the claims.]

(Specification, 3s. ; drawing, 2s.)

No. 25799.—7th April, 1909.—THOMAS LUTHER GREEN, of Indianapolis, Indiana, United States of America, Manufacturer. Improvements in sheeter or bar machines.

Extract from Specification.—Among the objects of my invention are to provide a hopper with a forming-die having a plurality of its walls adjustable to provide a varying opening in the die ; to provide a locking-device to retain the walls of said die in their adjusted position ; when two different doughs or substances are used for layer, filled or stripe work, and the like, a partition may be introduced into the hopper above the die ; to adjust the dough-feed rolls toward and from each other ; to adapt their engagement with the dough fed, and the character of the latter ; to provide the feed-rolls with scrapers which are adjustable with their respective feed-rolls without loss of engagement therewith ; to provide a carrier which is adjustable longitudinally or angularly,

or both, to feed the sheet or bars formed to a companion machine at the desired height ; to provide a flour-box with a device for delivering a succession of blows thereto and shake the flour therefrom ; and to provide a surfacing-device having a relative movement between it and the surface of the material on said carrier.

[NOTE.—The above extract from the specification is inserted in place of the claims.]

(Specification, £1 ; drawing, 5s.)

No. 25800.—7th April, 1909.—THOMAS LUTHER GREEN, of Indianapolis, Indiana, United States of America, Manufacturer. Improvements in wire-cut soft-cake machines.

Extract from Specification.—Among the objects of my invention are to provide a forming-die with a cutter which operates to cut or slice cakes from the dough issuing from said die, and in addition acts to control the drop and contribute to the delivery of the cakes cut ; to provide instrumentalities for cushioning the cutter movement ; to feed the dough or other plastic material continuously through the die ; to provide a variable-speed carrier to receive the articles cut ; when pans or other receivers are fed by the carrier, to give such carrier a periodic forward impulse, in addition to the regular carrier movement, to move the same quickly past the die to prevent deposit of articles on the pan-edges or spaces separating adjacent pans ; and to vary the extend of said periodic forward impulse.

[NOTE.—The above extract from the specification is inserted in place of the claims.]

(Specification, 18s. ; drawing, 6s.)

No. 25802.—7th April, 1909.—GEORGE HENRY PEDLAR, of Oshawa, Ontario, Canada, Manufacturer. Improvements in interlocking metallic shingles.

Claims.—(1.) A metallic shingle having a joint formed by an overturned flange on one shingle fitting into an under-turned flange on the opposite shingle, characterized by the provision of a moulding in the flange of one shingle adapted to fit into a corresponding moulding in the face of the opposite shingle.

[NOTE.—Here follow six other claims.]

(Specification, 6s. 6d. ; drawing, 1s.)

No. 25803.—7th April, 1909.—GEORGE WILLIAM MIDSON, of Union Street, Nundah, near Brisbane, Queensland, Australia, Glass-bottle Manufacturer. An improved bottle for holding aerated drinks and other liquids.

Claim.—In bottles for holding aerated drinks and other liquids, buttresses formed in the gullet or neck thereof across the transverse contractions formed therein, as and for the purposes set forth, and as illustrated in the drawings.

(Specification, 3s. ; drawing, 1s.)

No. 25807.—8th April, 1909.—MOURITS WILLIAM CHRISTENSEN, of Cardiff, Taranaki, New Zealand, Farmer, JAMES WILLIAM HOLDEN FREDRIC, of Stratford, Taranaki aforesaid, Engineer, and JAMES WATSON McMILLAN, of Stratford aforesaid, Merchant. Improved apparatus for raising water.

Claims.—(1.) Apparatus for the purpose indicated, comprising, in combination, a water-tank in communication with a vacuum pump or the like for exhausting air from the tank, a float-valve within said tank adapted to close the pipe leading to said vacuum pump, and a pipe from the tank to the water-supply, substantially as set forth. (2.) Apparatus for the purpose indicated, consisting of the parts constructed, arranged, combined, and operating substantially as set forth, and illustrated in the drawing. (3.) In apparatus of the nature indicated, the employment of the air-tube upon the suction-pipe, with means for automatically regulating it, substantially as specified.

(Specification, 2s. ; drawing, 1s.)

No. 25808.—8th April, 1909.—HARRY FORREST, of Forrester, near Windsor, New South Wales, Australia, Farmer, and WILLIAM LOVEL DAVIS, of 15 Castlereagh Street, Sydney, New South Wales aforesaid, Accountant. An improved non-refillable bottle.

Claims.—(1.) An improved non-refillable bottle having a stoppering-device cemented in the neck thereof after filling, and comprising a seating for a ball contained within downwardly and outwardly inclined ribs in the through chamber of said device, which chamber has barrier pieces above it, substantially as described and explained.

[NOTE.—Here follow three other claims.]

(Specification, 3s. 6d.; drawing, 1s.)

No. 25820.—7th April, 1909.—ROBERT LOCHHEAD, of Maryhill Terrace, Mornington, New Zealand, Importer. Improvements in carriage-hoods.

Claims.—(1.) The combination of the several parts as shown and described as a detachable apparatus for shade hoods. (2.) The use of the cam D and the shaped clamp C for the purposes described.

(Specification, 1s.; drawing, 1s.)

No. 25821.—6th April, 1909.—ALFRED EMANUEL LINDAU, of St. Louis, Missouri, United States of America, Civil Engineer. Bars for reinforcing concrete.

Extract from Specification.—My invention consists principally in a bar whose cross-section comprises an oblong middle portion and convex side portions, the convex portions terminating short of the ends of the middle portion.

[NOTE.—The above extract from the specification is inserted in place of the claims.]

(Specification, 7s.; drawing, 1s.)

No. 25824.—13th April, 1909.—HENRY ARTHUR WESTMORELAND, of 1A Court Terrace, Burntwood Lane, Earlsfield, London S.W., England, Manufacturer. Improvements in droppers and standards.

Claims.—(1.) A dropper or standard with depressions in its projecting surfaces for receiving the fence-wires, substantially as described. (2.) A dropper for receiving and holding fence-wires having a number of depressions formed in its edges by forcing portions thereof outwardly, forming lips, substantially as described. (3.) A dropper as specified, having a number of depressions formed in its edges by crushing or forcing in portions thereof.

(Specification, 3s. 3d.; drawing, 1s.)

No. 25827.—13th April, 1909.—SAMUEL SUTTON, of Upper Road, California Gully, Bendigo, Victoria, Australia, Engineering Smith. Improvements in the operating mechanism of percussive rock-drilling and the like machines.

[NOTE.—This is an application under the International and Intercolonial Arrangements, the date applied for—i.e., 29th April, 1908—being the official date of the application in the Commonwealth of Australia.]

Claims.—(1.) In percussive rock-drilling and the like machines, in combination, a cylinder, a piston of uniform diameter throughout, and a valve operated partially by an auxiliary exhaust from the cylinder, then completely by the full exhaust, substantially as and for the purposes set forth. (2.) In percussive rock-drilling and the like machines, in combination, a cylinder, a piston of uniform diameter throughout, a valve arranged to be moved by exhaust power operating at its extremities and allowing exhaust to take place at its extremities, substantially as and for the purposes set forth.

[NOTE.—Here follow four other claims.]

(Specification, 6s.; drawing, 2s.)

An asterisk (*) denotes the complete specification of an invention for which a provisional specification has been already lodged.

NOTE.—The cost of copying the specification and drawing has been inserted after the notice of each application. An order for a copy or copies should be accompanied by a post-office order or postal note for the cost of copying.

The date of acceptance of each application is given after the number.

Extracts from the drawings accompanying the foregoing complete specifications appear at the end of this Gazette.

J. C. LEWIS,
Registrar.

Provisional Specifications accepted.

Patent Office,
Wellington, 19th May, 1909.

APPLICATIONS for Letters Patent, with provisional specifications, have been accepted as under:—

- No. 25633.—J. Burton, hair-cream.
No. 25737.—W. Jenkins and G. Jones, gold-agitating table.
No. 25739.—F. C. Ottaway, life-saving boat.
No. 25790.—E. F. Jones, trolley-wheel safety-guard.
No. 25814.—D. L. Hollis, U. A. Forgie, F. Goscomb, J. S. Jaffray, and C. G. Taise, motor-tire cover.
No. 25815.—S. J. Lawrence and T. Daniel, discovering punctures in tires.
No. 25835.—A. Beveridge, automatic stoking furnace-door.
No. 25839.—S. S. Osborn, tube-mill lining.
No. 25843.—D. J. Whelan, vehicle brake.
No. 25851.—E. Smethurst, baled goods temperature-indicator.
No. 25857.—O. Coates, aerial machine.
No. 25858.—W. H. Boyens and T. Gore, fire-hose, &c., coupling.
No. 25860.—C. C. E. Barnard, flying-machine.
No. 25863.—E. Smethurst, obtaining samples from interior of bales.
No. 25864.—W. H. Bell, gas flasher.
No. 25865.—C. A. B. P. Hawkins, B. Ogilvie, and C. J. Nairn, aeroplane.
No. 25868.—F. T. Kennedy, window-sash.
No. 25881.—B. A. Fryer, rubber and leather sole.
No. 25887.—United Shoe Machinery Company, heel-building machine. (E. A. Tripp and L. H. Shaw.)
No. 25888.—S. W. Winslow, chain-stitch machine. (C. P. Holmes.)
No. 25905.—J. B. MacEwan and Co., Limited, milking-machine. (A. B. Robertson.)
No. 25915.—J. Brookes, knife-cleaner.

[NOTE.—Provisional specifications cannot be inspected, or their contents made known by this office in any way, until the complete specifications in connection therewith have been accepted.]

Letters Patent sealed.

LIST of Letters Patent sealed from the 1st to the 15th May, 1909, inclusive:—

- No. 23613.—W. Gale and L. Gunther, securing knives to chaff-cutting machines.
No. 23632.—A. Parker, postage-stamp-vending machine.
No. 23898.—T. T. Cole, door-bolt.
No. 23909.—A. H. Cotton, toy.
No. 23911.—R. Cairns, electrical plug.
No. 23919.—W. J. Roebuck, foot for ladder.
No. 23930.—T. C. Smart, hearth fender or curb.
No. 23937.—G. Richardson, illusion apparatus.
No. 23948.—J. A. Milne and H. Morgan, current-turbine.
No. 24044.—D. Donald, lifting-jack.
No. 24138.—E. A. Hytten, telegraphonic apparatus.
No. 24337.—A. M. Ponninghaus, liquid-heating apparatus.
No. 24338.—A. M. Ponninghaus, washing, &c., machine.
No. 24339.—A. M. Ponninghaus, washing-machine. (W. B. D. Ponninghaus.)
No. 24494.—I. B. Smith, electric musical instrument.
No. 24565.—Reckitt and Sons, liquid-sprinkler. (T. R. Ferens.)
No. 24648.—A. W. H. Vivian, G. L. Davies, L. Grote, artificial fuel.
No. 24889.—A.G.E.S. Societa in accomandita Semplice, per L'Esercizio Dei Brevetti Granieri, wheel-axle. (L. Granieri.)
No. 25306.—T. Parker, coal, &c., distillation.
No. 25402.—C. A. Parsons, turbine.

Letters Patent on which Fees have been paid.

[NOTE.—The dates are those of the payments.]

SECOND-TERM FEES.

- No. 19443.—Henry R. Worthington, pump. (F. Ray.) 5th May, 1909.
No. 19457.—A. H. Wylds, window-lock. 11th May, 1909.
No. 19571.—W. M. Ducker, portable house. 6th May, 1909.
No. 19756.—M. Le Blanc and La Societe Anonyme, Westinghouse, refrigerating-apparatus. (J. T. Hunter.) 6th May, 1909.

THIRD-TERM FEES.

Nil.

Subsequent Proprietors of Letters Patent registered.

[NOTE.—The name of the former proprietor is given in brackets; the date is that of registration.]

- No. 19413.—De Dion Bouton (1907), Limited, having its registered offices at 10 Great Marlborough Street, Regent Street, London, England. Plate-clutch. (A. de Dion and G. Bouton.) 13th May, 1909.
 No. 24648.—The Vivian Briquette and Coal Company, Limited, a duly incorporated company, having its registered office in Johnston Street, in the City of Wellington, in the Dominion of New Zealand. Manufacture of artificial fuel. (A. W. H. Vivian, G. L. Davies, and L. Grote.) 13th May, 1909.

Applications for Letters Patent abandoned.

LIST of applications, with which provisional specifications only have been filed, abandoned (*i.e.*, complete specifications not lodged) from the 3rd to the 17th May, 1909, inclusive:—

- No. 24462.—H. W. McDonnell and A. G. R. Williams, lubricator.
 No. 24616.—O. C. C. Chapman, window-lock.
 No. 24626.—C. A. Jenkins and J. V. Critchfield, air-brake.
 No. 24629.—W. J. McElroy, mowing-machine.
 No. 24638.—F. W. Coker, speed gear.
 No. 24639.—C. Loomes, wool-pack.
 No. 24641.—H. Dryland and P. J. McDermott, ornamental fountain.
 No. 24649.—S. H. Day, whippletree.
 No. 24650.—J. H. Shore, nut-lock.
 No. 24653.—W. Katene, fish-hook and bait.
 No. 24656.—W. M. Keene and J. Moore, rabbit-preserving process.
 No. 24669.—M. Kreissig, water-tap.
 No. 24670.—C. Rogal, onion-digger.
 No. 24671.—E. Hope and C. Hill, artificial denture.
 No. 24672.—F. S. Barnes, gate.
 No. 24673.—F. S. Barnes, draw-bar.
 No. 24674.—P. and D. Duncan, Limited, disc harrow. (J. Keir.)
 No. 24683.—C. A. Baker, clothes-peg box.
 No. 24684.—W. Sim, weed-destroyer.
 No. 24692.—V. McDonald, casting dental inlays.

Applications for Letters Patent void.

APPLICATIONS for Letters Patent, with which complete specifications have been lodged, void owing to non-acceptance of such complete specifications, from the 4th to the 17th May, 1909, inclusive:—

- No. 23980.—A. H. and D. J. Byron and R. R. Richmond, wool and cotton press.
 No. 23985.—J. Anderson and J. D. Hunter, milk and curd agitator.

Applications for Letters Patent lapsed.

APPLICATIONS for Letters Patent lapsed, owing to Letters Patent not being sealed, from the 4th to the 17th May, 1909, inclusive:—

- No. 23292.—W. Beamish, cigarette-holder.
 No. 23623.—T. Falvey, baled-goods indicator.
 No. 23695.—C. Tattersfield, waterproof solution.
 No. 23724.—C. Rosegger, metal, &c., wall-construction.
 No. 23725.—J. Trevehick, securing handles to broom-heads.

Letters Patent void.

LIST of Letters Patent void through non-payment of renewal fees, and through expiry of term of fourteen years, from the 4th to the 17th May, 1909, inclusive:—

THROUGH NON-PAYMENT OF SECOND-TERM FEES.

- No. 19038.—N. Nielsen, concrete-block moulding-machine. (Harmon S. Palmer Hollow Concrete Block Company—H. S. Palmer.)
 No. 19039.—W. Thow and W. H. Nisbet, automatically rocking or tilting firebars.
 No. 19041.—G. F. Everton, excavating-bucket.
 No. 19047.—G. T. Macfarlane, shipping animals and box therefor.

B

- No. 19052.—J. F. Ohmer, ticket-issuing, &c., machine.
 No. 19053.—J. F. Ohmer, ticket-issuing, &c., machine.
 No. 19054.—Columbus Chemical Company, creosote treatment. (A. G. Meyer—J. B. Davitt.)
 No. 19060.—T. H. Henderson, destroying Californian thistle, &c.
 No. 19067.—S. McCully, weed-destroying solution.
 No. 19071.—W. P. Daly, bolster-clamp.
 No. 19080.—H. R. Worthington, compensating direct-acting engines. (W. C. Brown and O. H. Mueller.)
 No. 19083.—J. Coles and J. Clegg, retaining wire mattresses upon beds. (N. Hill, F. Davis—H. E. Simmonds and C. R. Spragg.)
 No. 19091.—R. W. Gallagher, bill-delivery mechanism for meter.
 No. 19103.—J. Kudlicz, A. C. F. von André, and H. R. O. Friederici, mechanical stoker.
 No. 19104.—E. A. Preston, decarbonising iron reflector.

THROUGH NON-PAYMENT OF THIRD-TERM FEES.

- No. 14499.—W. Taylor, shunting-lever.
 No. 14501.—The British Westinghouse Electric and Manufacturing Company, Limited, engine-shaft bearing. (W. E. Hughes—C. Robinson.)
 No. 14507.—R. W. Pearse, bicycle.
 No. 14516.—J. M. Phillipps, windmill mechanism.
 No. 15682.—R. Sorby and Sons, Limited, sheep-shears. (H. Burgon.)

THROUGH EXPIRY OF TERM.

- No. 7592.—J. B. Readman, cyanide, &c., manufacture.
 No. 7599.—The Southland Farmers Implement and Engineering Company, Limited, manure-distributor. (J. Macalister.)
 No. 7605.—Blanton Patents Syndicate, Limited, stamp-mill cam-fastening. (E. A. Blanton.)

Designs registered.

DESIGNS have been registered in the following names on the dates mentioned:—

- No. 479.—Walter John Scammell, trading as "The Sterling Electroplating Company," of Cuba Street Extension, Wellington, in the Dominion of New Zealand. Class 2. 14th May, 1909.

Design expired.

THE copyright in the following design has expired:—

- No. 207.—Herbert Tolfree Harding and Aubrey Field Billing, trading as "Harding and Billing," Auckland, New Zealand. (Letter-card.)

Applications for Trade Marks filed.

LIST of applications for registration of Trade Marks filed from the 3rd to the 17th May, 1909, inclusive:—

- No. 7971.—6th May.—R. Gibb, Auckland, N.Z. Class 42.
 No. 7972.—6th May.—Southern Cross Galvanised Iron Manufacturing Company, Limited, Auckland, N.Z. Class 13.
 No. 7973.—8th May.—H. Berry and Co., Christchurch, N.Z. Class 42.
 No. 7974.—8th May.—Phelps, Wilson, and Co., Wellington, N.Z. Class 34.
 No. 7975.—10th May.—S. M. Bower, Kaitiaki, N.Z. Class 50.
 No. 7976.—10th May.—Wanganui Fresh Food and Ice Company, Wanganui, N.Z. Class 42.
 Nos. 7977 and 7978.—12th May.—A. Blumenthal, Hamburg, Germany. Class 43.
 No. 7979.—12th May.—Vinolia Company, Limited, London, Eng. Class 48.
 No. 7980.—13th May.—W. H. Newcombe, Auckland, N.Z. Class 41.
 No. 7981.—13th May.—Hutchinson Bros., Limited, Auckland, N.Z. Class 42.
 No. 7982.—14th May.—Hardie Shaw Studios, Wellington, N.Z. Class 39.
 No. 7983.—15th May.—A. W. Bickerton, Christchurch, N.Z. Class 20.
 No. 7984.—17th May.—Continental C. and G. Rubber Company Proprietary, Limited, Melbourne, Vic. Class 40.
 No. 7985.—17th May.—A. Turner and Son, Wellington, N.Z. Class 13.
 No. 7986.—17th May.—R. Hall, trading as the "Imperial Manufacturing Company," Wellington, N.Z. Class 42.

Applications for Registration of Trade Marks.

Patent Office,
Wellington, 19th May, 1909.

APPLICATIONS for registration of the following Trade Marks have been received. Notice of opposition to the registration of any of these applications may be lodged at this office within two months of the date of this Gazette. Such notice must be in duplicate, and accompanied by a fee of £1.

No. of application: 7795.
Date: 19th January, 1909.

TRADE MARK.

The word

"LACTONE."

NAME.

PARKE, DAVIS, AND Co., of Sydney, in the State of New South Wales, Commonwealth of Australia.

No. of class: 3.

Description of goods: Butter-milk tablets, consisting of a pure culture of lactic-acid bacilli.

[NOTE.—This application is regazetted on account of the name of the proprietor in the former case being wrongly inserted in the application.]

No. of application: 7825.
Date: 6th February, 1909.

TRADE MARK.



The essential particular of the above trade mark is the distinctive label; and any right to the exclusive use of the added matter is disclaimed.

NAME.

THE AMERICAN AXE AND TOOL COMPANY, a company incorporated according to the laws of the State of Pennsylvania, having its registered office at German National Bank Building, Pittsburg, Pa., United States of America.

No. of class: 12.
Description of goods: Axes, hatchets, and edge tools.

No. of application: 7869.
Date: 8th March, 1909.

TRADE MARK.

AMBEROL

NAME.

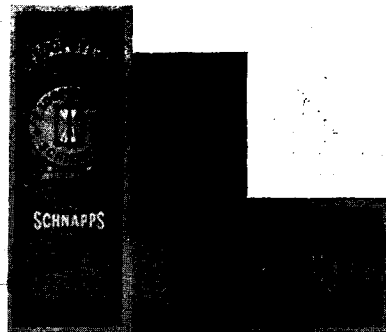
NATIONAL PHONOGRAPH COMPANY, of Orange, New Jersey, United States of America, a corporation organized and existing under the laws of the State of New Jersey, United States of America, Manufacturer of Phonographs and Phonograph-records.

No. of class: 8.
Description of goods: Phonograph-records.

[NOTE.—This application is regazetted on account of a clerical error in the former notice.]

No. of application: 7922.
Date: 31st March, 1909.

TRADE MARK.



The essential particulars of this trade mark are the following—the combination of devices and the signature "P. Loopuyt & Co."; and the applicants disclaim any right to the exclusive use of the added matter, except their name and address.

NAME.

P. LOOPUYT AND Co., of Schiedam, Holland, Distillers.

No. of class: 43.
Description of goods: Schnapps.

No. of application: 7953.
Date: 19th April, 1909.

TRADE MARK.

The word

"QUINO."

NAME.

L. CASELBERG AND Co., LIMITED, of Wellington, in the Dominion of New Zealand.

No. of class: 42.
Description of goods: Quino punch.

No. of application : 7964.
Date : 27th April, 1909.

TRADE MARK.

The word

"SPHERE."

NAME.

FAIRE BROS. AND Co., LIMITED, of 2 Southampton Street,
and St. George's Mills, Leicester, England.

No. of class : 38.

Description of goods : Suspenders for stockings and socks,
belts, braces, supporters for garments, shoulder-straps, and
goods of a like kind, all being articles of clothing.

No. of application : 7970.
Date : 3rd May, 1909.

TRADE MARK.



STAG BRAND.

The essential particulars of this trade mark are the device
of a stag's head and the word "Stag"; and any right to the
exclusive use of the added matter is disclaimed.

NAME.

GOLLIN AND Co. PROPRIETARY, LIMITED, of 78 Jervois Quay,
Wellington, in the Dominion of New Zealand, Merchants.

No. of class : 38.

Description of goods : Hats, caps, collars, shirts, and all
articles of clothing under this class.

No. of application : 7973.
Date : 8th May, 1909.

TRADE MARK.

The word

"INVICTA."

NAME.

HENRY BERRY AND Co., of Christchurch, in the Dominion
of New Zealand.

No. of class : 42.

Description of goods : All goods in this class.

[NOTE.—Class 42 is for "Substances used as food or as ingredients
in food."]

No. of application : 7974.
Date : 8th May, 1909.

TRADE MARK.



The essential particulars of this trade mark are the dis-
tinctive label and the word "Mascotte"; and any right to
the exclusive use of the added matter is disclaimed.

NAME.

PHELPS, WILSON, AND Co., of Wellington, in the Dominion
of New Zealand, Woollen Warehousemen.

No. of class : 34.

Description of goods : Woollen goods.

J. C. LEWIS,
Registrar.

Application for Trade Mark opposed.

NOTICE of opposition has been filed in the following
case :—
No. 7859.—Champion and Slee, Limited. Opposed by Hay-
ward Bros. and Co., Limited.

Trade Marks registered.

LIST of Trade Marks registered from the 3rd May to the
17th May, 1909, inclusive :—

No. 6152/7295.—Kaiser Brauerei Beck and Co. Class 43.
(*Gazette* No. 64, of the 20th August, 1908.)

No. 6153/7482.—E. M. Johnson. Class 42. (*Gazette*
No. 64, of the 20th August, 1908.)

No. 6154/7519.—Liebig's Extract of Meat Company,
Limited. Class 42. (*Gazette* No. 69, of the 3rd September,
1908.)

No. 6155/7194.—Alcock and Co. Proprietary, Limited.
Class 49. (*Gazette* No. 16, of the 25th February, 1909.)

No. 6156/7522.—Farbwerke vorm Meister Lucius and
Brüning. Class 3. (*Gazette* No. 69, of the 3rd September,
1908.)

No. 6157/7523.—North-western Cyanamide Company,
Limited. Class 2. (*Gazette* No. 69, of the 3rd September,
1908.)

No. 6158/7824.—H. Wernthal and R. Nordheim. Class 42.
(*Gazette* No. 16, of the 25th February, 1909.)

No. 6159/7829.—Lonsdale Bros. and Co. Class 14. (*Gazette*
No. 16, of the 25th February, 1909.)

No. 6160/7837.—Perret Gros and Million. Class 31.
(*Gazette* No. 16, of the 25th February, 1909.)

No. 6161/7488.—Millar and Giorgi. Class 38. (*Gazette*
No. 16, of the 25th February, 1909.)

No. 6162/7820.—J. Nathan and Co., Limited. Class 45.
(*Gazette* No. 12, of the 11th February, 1909.)

No. 6163/7822.—J. Nathan and Co., Limited. Class 45.
(*Gazette* No. 12, of the 11th February, 1909.)

No. 6164/7300.—Gandy Belt Manufacturing Company,
Limited. Class 25. (*Gazette* No. 72, of the 17th September,
1908.)

No. 6165/7312.—Field and Co., Fruit-merchants, Limited.
Class 42. (*Gazette* No. 72, of the 17th September, 1908.)

No. 6166/7313.—Field and Co., Fruit-merchants, Limited.
Class 42. (*Gazette* No. 75, of the 1st October, 1908.)

No. 6167/7314.—R. and J. Dick, Limited. Class 40.
(*Gazette* No. 105, of the 23rd December, 1908.)

No. 6168/7315.—R. and J. Dick, Limited. Class 40.
(*Gazette* No. 105, of the 23rd December, 1908.)

No. 6169/7709.—The Celluloid Company. Class 38. (*Gazette*
No. 16, of the 25th February, 1909.)

No. 6170/7261.—J. Adams and Co. Class 42. (*Gazette*
No. 49, of the 25th June, 1908.)

Subsequent Proprietors of Trade Marks registered.

[NOTE.—The name of the former proprietor is given in brackets; the date is that of registration.]

NO. 2971/2337.—The British Drug Houses, Limited, of 38 and 40, Southwark Street, in the County of London, England, Wholesale Druggists. (Davy, Hill, and Sons—Yates and Hicks.) 6th May, 1909.

Nos. 5406/4643, 5407/4644, and 5408/4645.—Carl Ingenohl, of Antwerp and Manilla, Merchant. (The Oriente Tobacco Manufacturing Company, Limited.) 7th May, 1909.

No. 6412/5085.—Harry Harris, of Masterton, New Zealand, Sheep-farmer, and Frederick William Hales, of Wellington, New Zealand, Gentleman. (J. M. Cox.) 13th May, 1909.

No. 7143/5666.—The Weldarine Manufacturing Company, a corporation located at 705 Quincy Street, Topeka, in the State of Kansas, United States of America. (Henry W. Peabody and Co.) 6th May, 1909.

Trade Mark Renewal Fees paid.

FEES paid for the renewal of the undermentioned Trade Marks for fourteen years from the date first mentioned:—

No. 1428/1307.—14th May, 1909.—T. Morris, Dunedin, New Zealand. Class 3. 6th May, 1909.

No. 1471/1197.—23rd July, 1909.—A. Tyree, Christchurch, New Zealand. Class 38. 5th May, 1909.

No. 1479/1171.—5th August, 1909.—Martell and Co., Cognac, France. Class 43. 5th May, 1909.

No. 1505/1208.—31st August, 1909.—Lennard Bros., Leicester, England. Class 38. 5th May, 1909.

No. 1517/1225.—4th October, 1909.—J. Hagemann, Melbourne, Victoria. Class 2. 12th May, 1909.

Applications for Trade Marks abandoned or refused.

LIST of applications for registration of Trade Marks abandoned or refused from the 7th April to the 19th May, 1909, inclusive:—

No. 7174.—8th February, 1908.—F. J. Shelton, trading as as "The Heat, Light, and Supplies Company," of Wellington, New Zealand. Class 1.

No. 7207.—4th March, 1908.—F. de J. Robin, of Wellington, New Zealand. Class 42.

No. 7208.—6th March, 1908.—Bycroft Limited, of Auckland, New Zealand. Class 42.

No. 7238.—28th March, 1908.—J. Rodger and Co., of Christchurch, New Zealand. Class 49.

No. 7253.—3rd April, 1908.—W. P. Henderson, of Palmerston North, New Zealand. Class 3.

No. 7449.—17th July, 1908.—Lyttle Bros., of Masterton, New Zealand. Class 22.

Trade Mark Registration cancelled.

THE entry on the Register in respect of the following trade mark has been cancelled:—

No. 85/510.—Scott and Bowne, Limited. (Application advertised in *Gazette* No. 13, of the 26th February, 1885.)

Trade Marks removed from the Register.

TRAD E Marks removed from the Register owing to the non-payment of the renewal fee, from the 3rd to the 17th May, 1909, inclusive:—

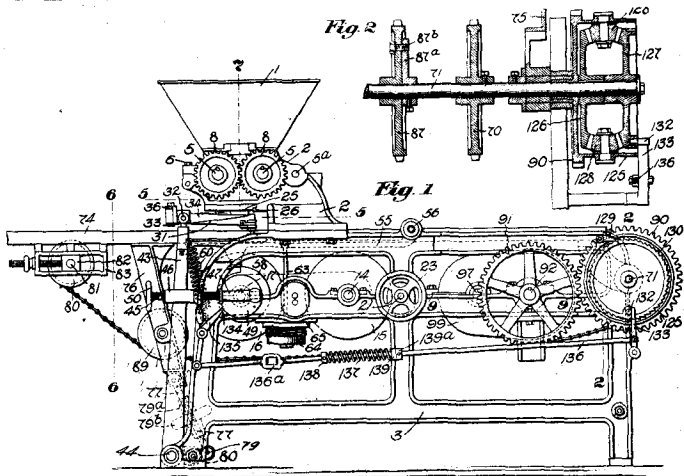
No. 1388/1105.—13th February, 1895.—Société Anonyme pour l'Importation des huiles de Graissage, of Antwerp, Belgium, Merchants. Class 47.

No. 1389/1085.—15th February, 1895.—Charles Dahl, of Palmerston North, New Zealand, Clothing-manufacturer. Class 38.

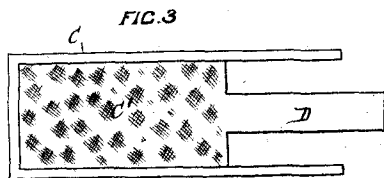
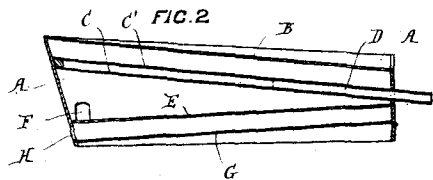
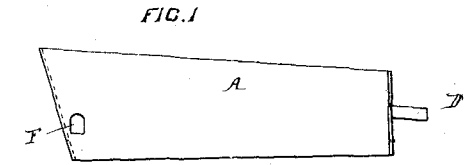
By Authority: JOHN MACKAY, Government Printer, Wellington.

ILLUSTRATIONS OF INVENTIONS.

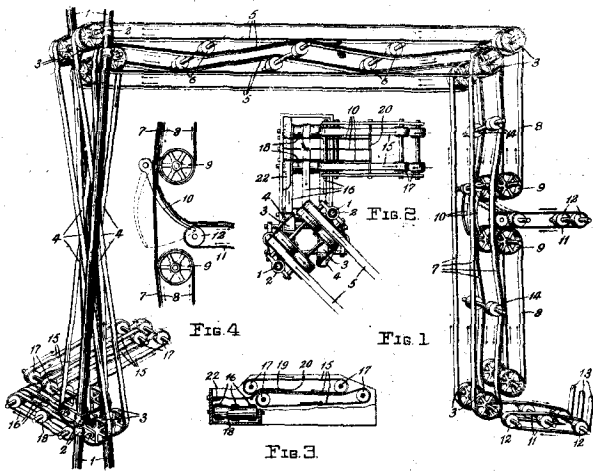
[These illustrations refer to the complete specifications accepted, and advertised in this *Gazette*.]



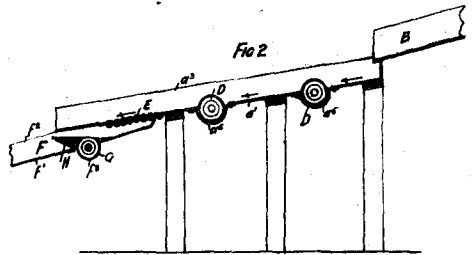
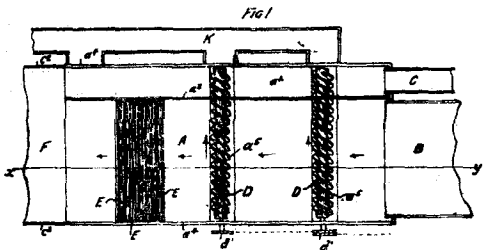
25800
Green. Cake-machine.



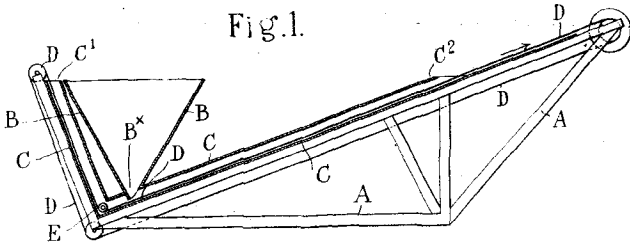
24474
Jackson. Riddle.



25533
Victor Automatic Carriers (Ltd.). Newspaper-carrier. (Filteau.)



25710
Peacock. Tin-saver.



24321
Nichols. Separator.

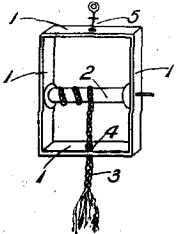
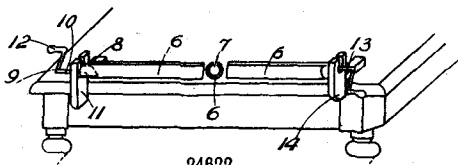
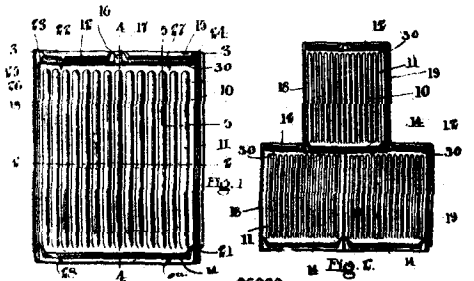
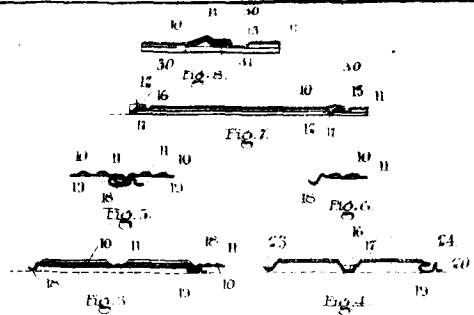


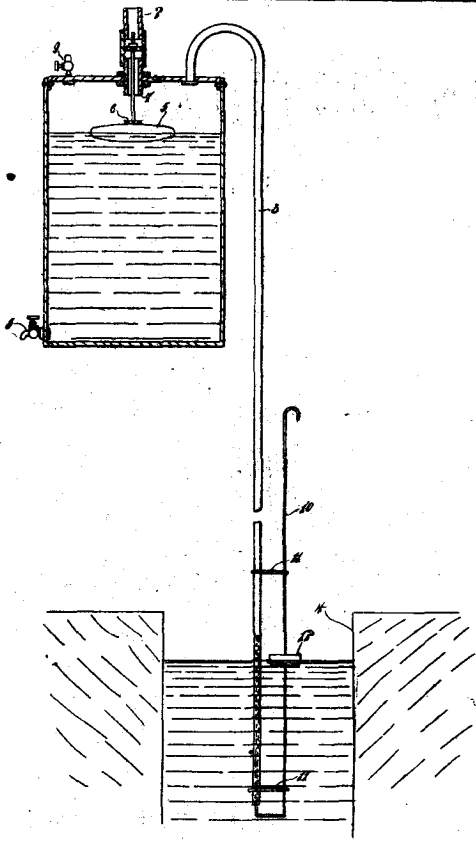
FIG. 2



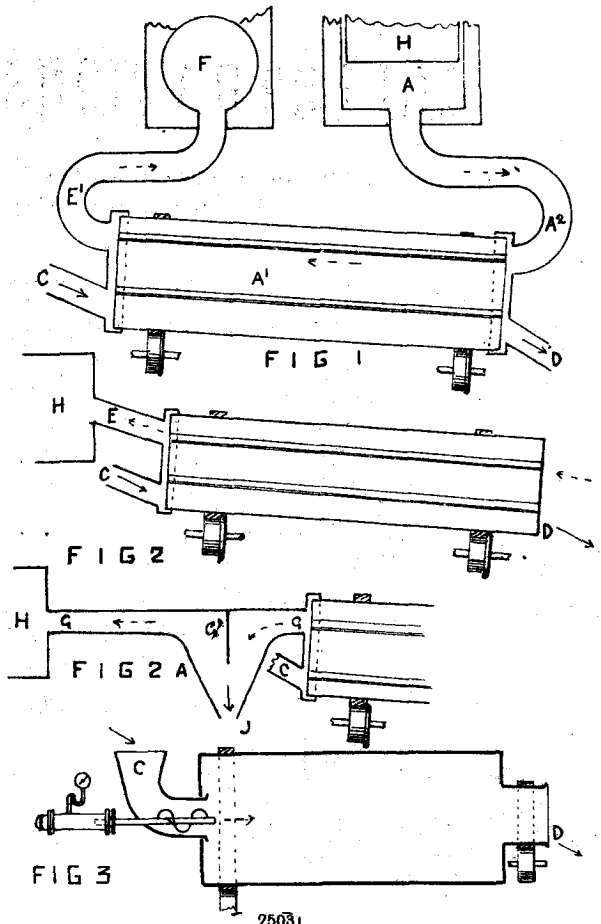
24622
Poole. Hair-pad Machine.



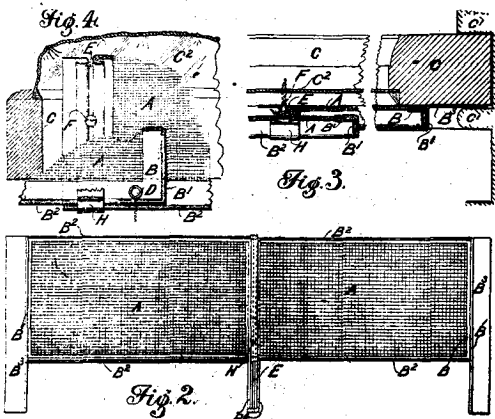
25802
Pedlar. Metallic Shingle.



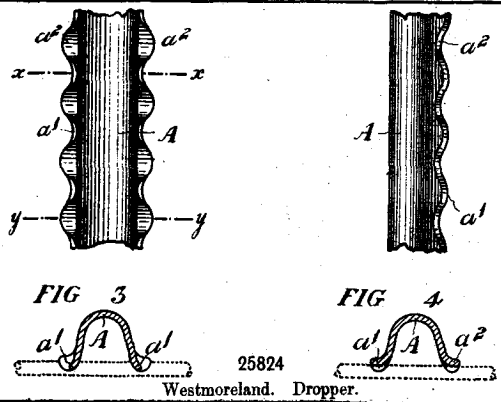
25807
Christensen, Fredric, and McMillan. Water-raiser.



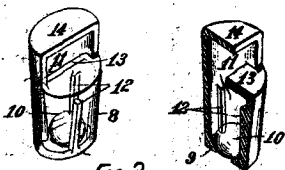
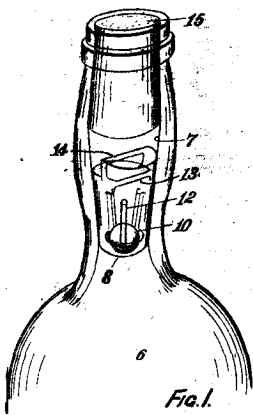
25831
Love and Skelsey. Cement-manufacture.



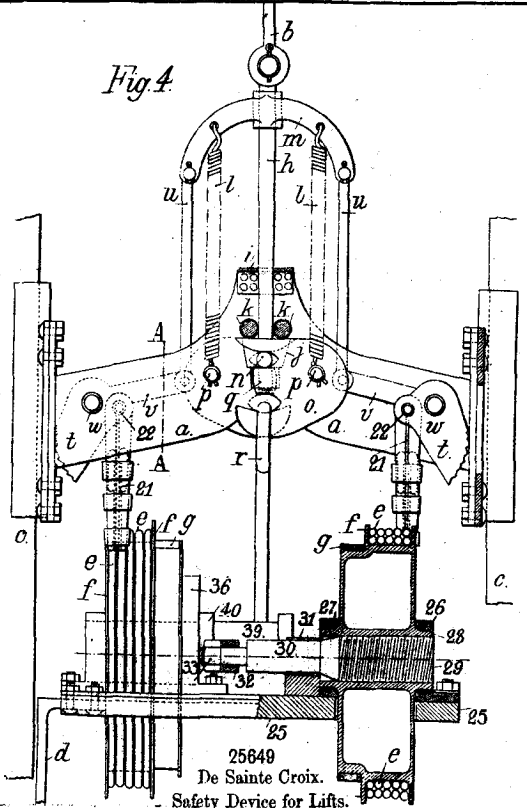
25807
Davison. Window-screen.



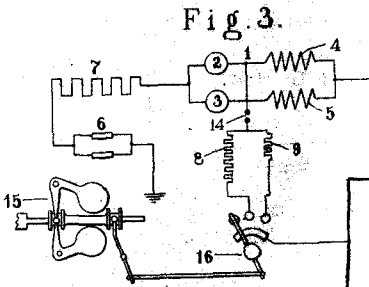
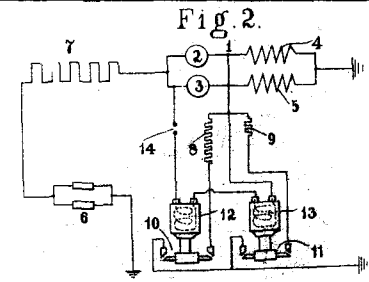
25824
Westmoreland. Dropper.



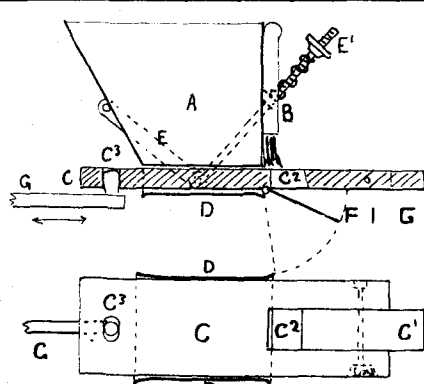
25808
Forrest and Davies. Bottle.



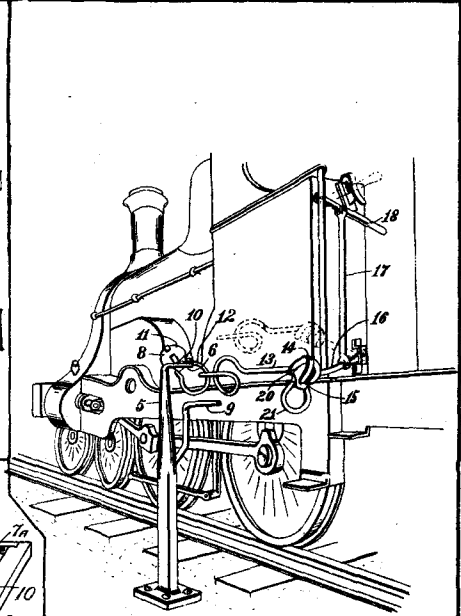
25649
De Sainte Croix.
Safety Device for Lifts.



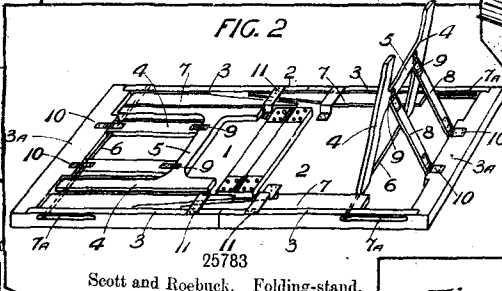
25788
Brit. West and E. and M. Co. (Ltd)
Electric Brake. (Turner.)



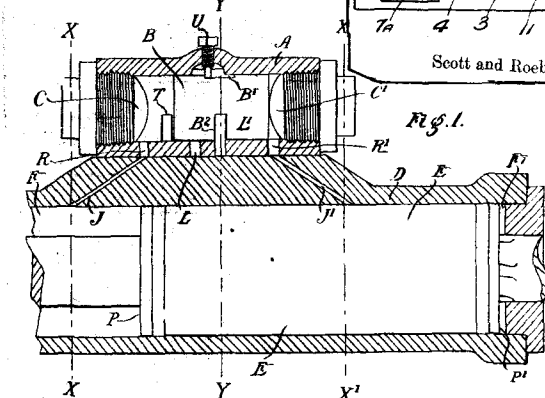
25752
J., W. G., and J. Gordon-Jones. Seed-sower.



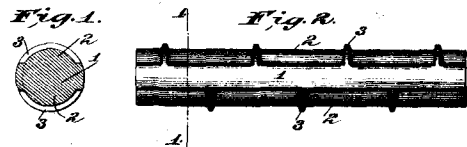
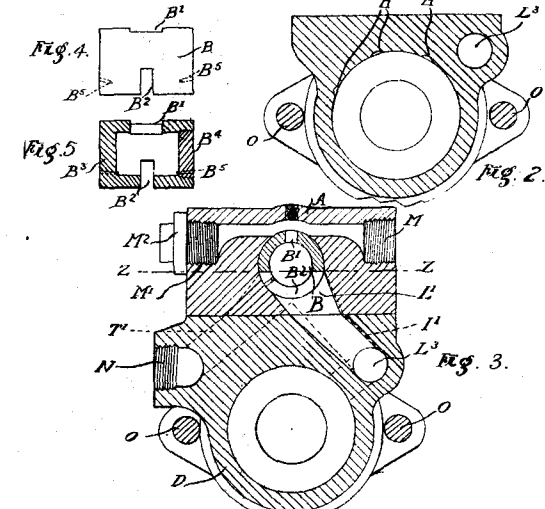
25796
Clark. Railway Tablet System.



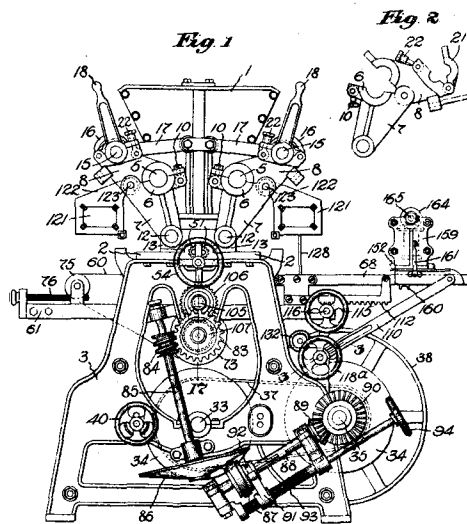
25783
Scott and Roebuck. Folding-stand.



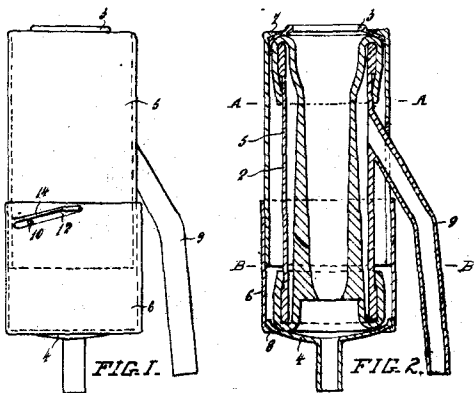
25827
Sutton. Rock-drill.



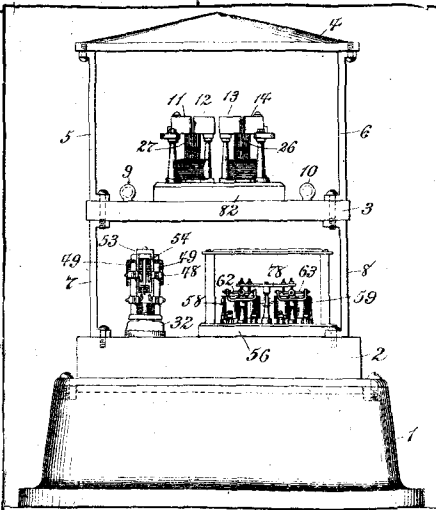
25821
Lindau. Reinforcing-bar.



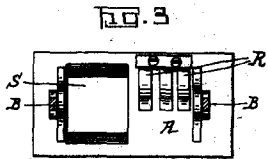
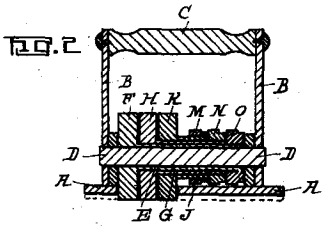
25799
Green. Sheeter-machine.



25714
Blake. Teat-cup.



25639
Murphy. Electricity Rectifier.



25717
Moss and Mayes. Stamp.

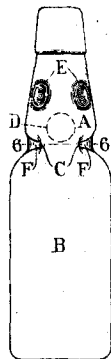


FIG. 3.



FIG. 6.

25803
Midson. Bottle.

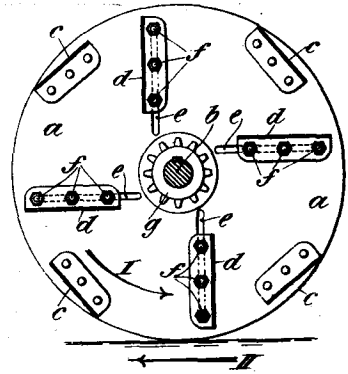
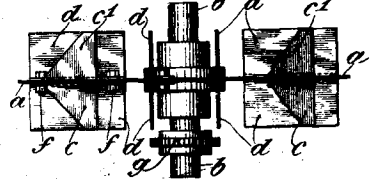
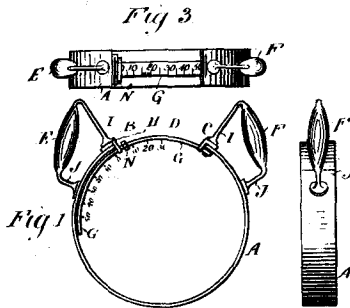


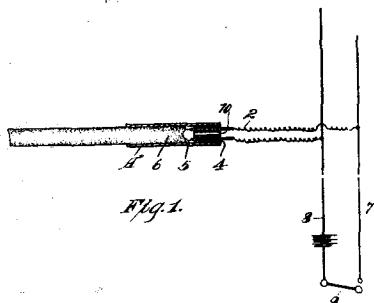
Fig. 2



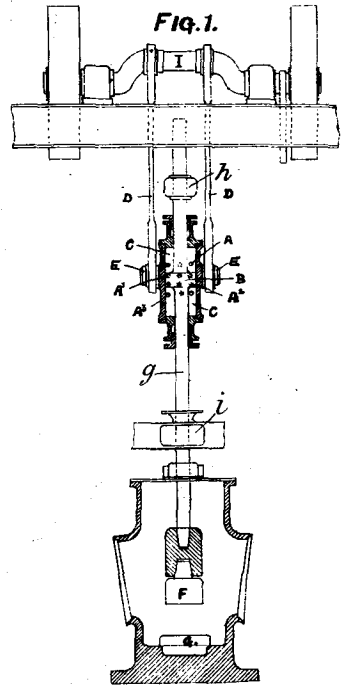
25793
Köszegi and Szechenyi. Cultivator.



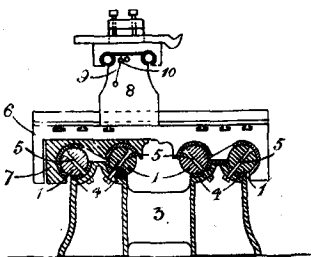
25787
Blakoe. Developer.



25792
Sauve and Bernardi. Fuse-spitter.



25794
Royston. Stamper.



25777
Hutchinson. Lathe, &c. Slide.

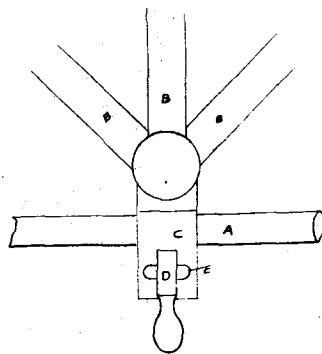


FIG. 1

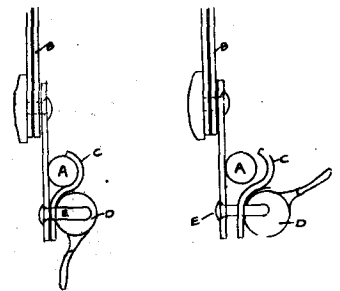


FIG. 2

FIG. 3

25820
Loelhead. Carriage-hood.